

EURO B 12T

Technical data *

Aerial work platform **TEUPEN[®] hyLIFT[®]**



EURO B 12T

Working height:	ca. 11,65 m
Platform height:	ca. 9,65 m
Lateral outreach:	ca. 6,30 m
Safe load on cage:	max. 200 kg
Range of rotation:	2x120°
Size of working cage (LxWxH):	1,2 x 0,8 x 1,1 m
Length in travelling position:	min. 5340 mm
Height in travelling position:	max. 2700 mm
Jacked width:	ca. 2,6 m x 2,1 m
Surface load in loading position:	kb. 5,33 kN/m ²
Power line:	inside the profile
Max. cant when set up:	±1°
Max lateral pressure:	400N
Max. wind force:	12,5m/ sec (grade 6)
Insulation level acc. to DIN VDE 0682-742:2000 standard :	up to AC 1000V; DC 1500V

Technical data for truck (TOYOTA DYNA LY 100 L):

Dimensions:

Length of the vehicle:	min. 4280 mm
Height of the vehicle:	max. 2055 mm
Width of the vehicle:	min. 1695 mm
Wheelbase:	2300 mm
Permissible total weight:	3000 kg
Colour:	code 058 (white)
Cubic capacity:	2982 cm ³
Driving:	5-speed
Engine:	Euro 4 engine with catalytic converter
Fuel:	Diesel
Turning circle:	10,2 m

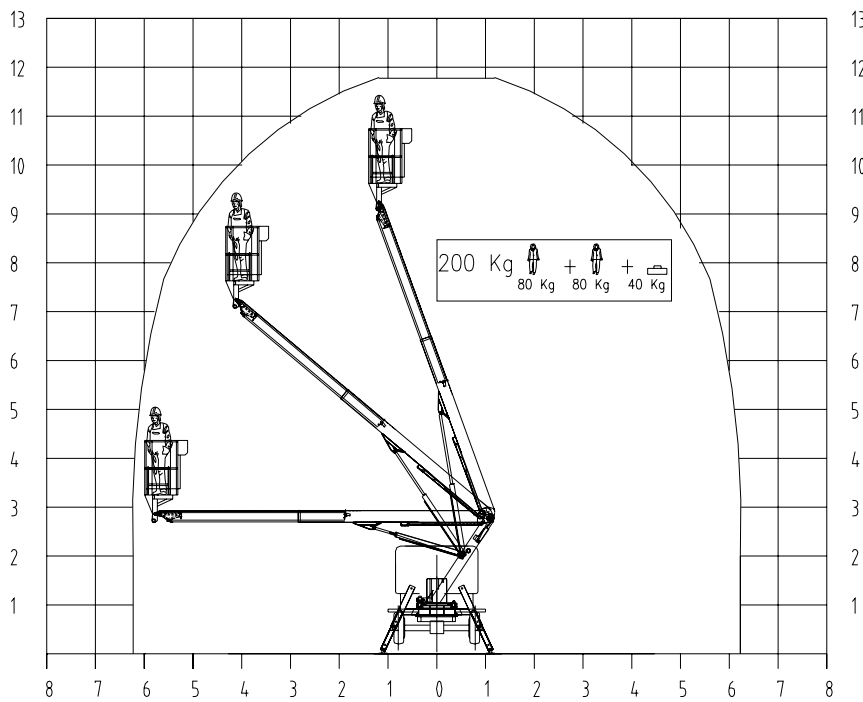
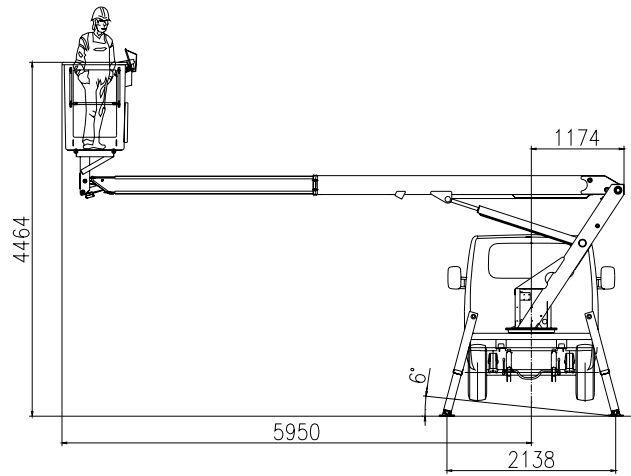
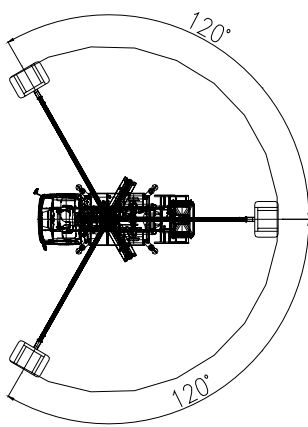
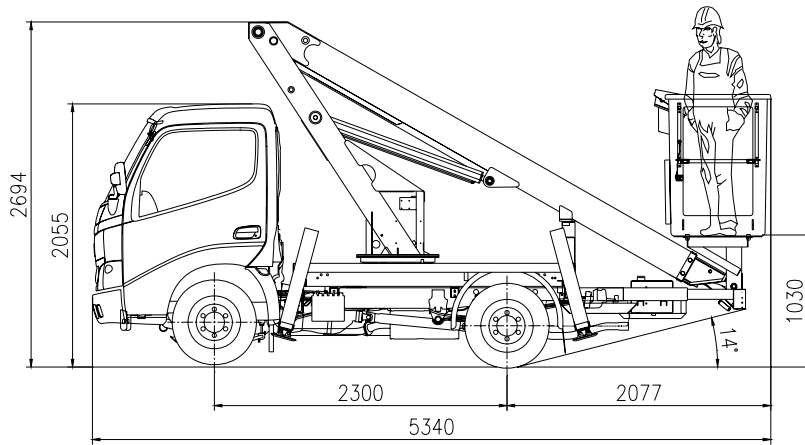
The following options are needed to the Toyota Dyna:

- Preparation for lateral telltale lamp
- Switchable climate drive without climate equipment
- To adjust the motor-speed at 1000 U/min.(by hand or automatic)
- The hand-brake blocks the starting of the auxiliary drive
- Strengthened battery
- Preparation: 12 V output in case of switched on ignition and auxiliary drive
- Preparation: Motor start-stop connection - with 12V signal from work platform

*Technical data with standard equipment!

Alteration in construction reserved!

State: 22.05.2007



TEUPEN Maschinenbaugesellschaft mbH

Address: D 48599 Gronau / Germany - Marie-Curie-Street 13 – Telephone: 0049-02562 / 8161-0 – Telefax: 0049-02562 / 8161-888
 Postaddress: D 48580 Gronau / Germany - PO.Box 1951 – Internet: <http://www.teupen.de> – email: info@teupen.de